

Included in Hardware Assembly Pack:

- 1 – 10/32 x 3/8 pin in hex button socket cap screw
- 1 – ¼-20 x 3/8" screw
- 5/32 hex key

Warning: Do not let the cables slip down into the pole. Leave elastic on until time of assembly.

- Run cable(s) from Nova 1 pole through Kubi bracket and lay in grooves in bracket, see figure 1.
- Install ¼" screw through center hole and thread into bottom of Kubi; tighten well with 5/32" allen key provided, see figure 2.
- Slide Kubi and bracket onto pole well until it stops, rotate until in desired position, install smaller security screw and tighten using 5/32" allen key, see figure 3.

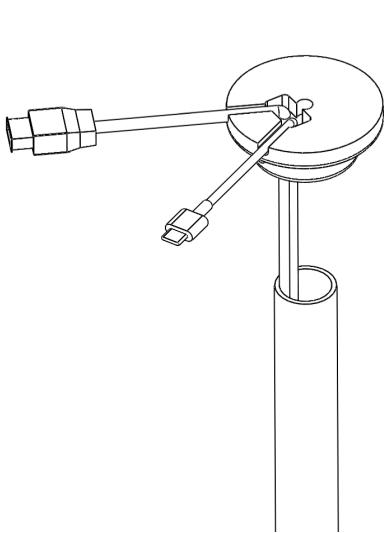


Figure 1

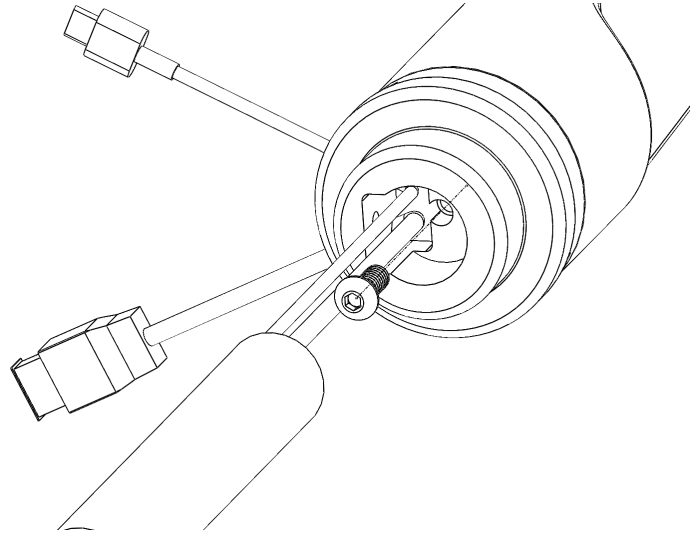


Figure 2

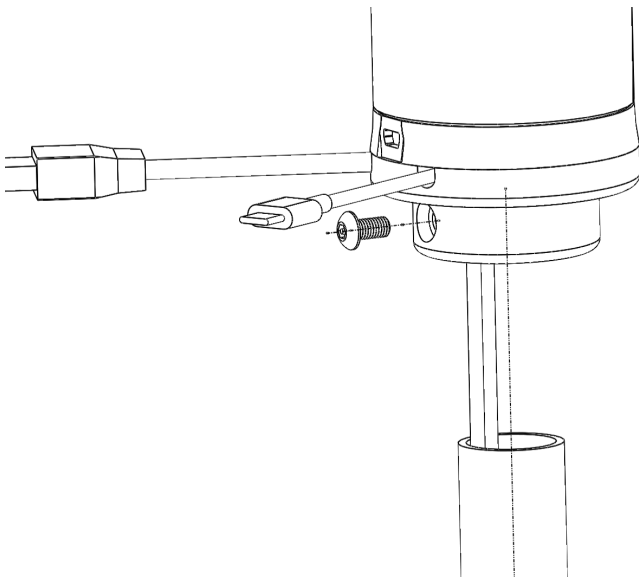


Figure 3